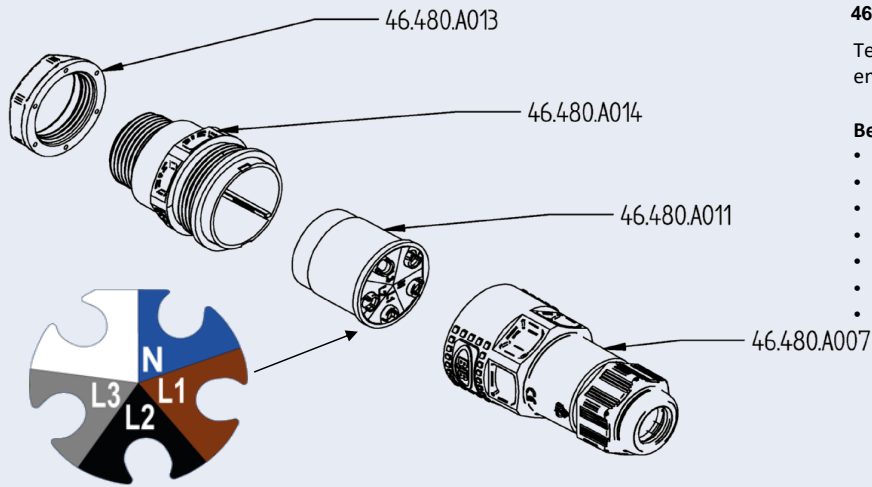


Terminal Block System

46.480 - Terminal Block System E-CON 4



Part no.

46.480.A003-0

Terminal Block System for quick, safe installation, reliable and energy-efficient operation

Benefits:

- Ingress protection IP66, IP67, IP69
- reliable
- quick connection
- easy assembly
- robust
- doesn't bend
- ready for use

Specification	
Diameter	34.5 mm
Length	104 mm
Number of poles	4
Housing hole diameter	25 mm
Tightening torque	2 Nm
Wire type	Solid
Core cross-section of ext. wire	1.5 - 2.5 mm ²
Core cross-section of int. wire	0.5 - 1.5 mm ² / 0.5 - 2.5 mm ²
Stripping length of ext. wire	12 mm
Stripping length of int. wire	12 mm
Number of clamps per pole inside	2
Number of clamps per pole outside	1
Voltage rating	400V
Current rating	16A
Ambient temperature range	-25°C to 60°C
Min. cable diameter	9 mm
Max. cable diameter	13.5 mm
Protection class	II
Material	PA
Color	grey
Contact material	spring steel, cooper
Ingress protection	IP66, IP67, IP69
Certification	ENEC
Weight	46.72 g
Pkg.	200 sets/box

Article numbers of single parts per box	
Plastic nut	46.480.A013-0
Counterpart E-CON	46.480.A014-0
Terminal block E-CON 4	46.480.A011-0
Housing E-CON 4	46.480.A007-0