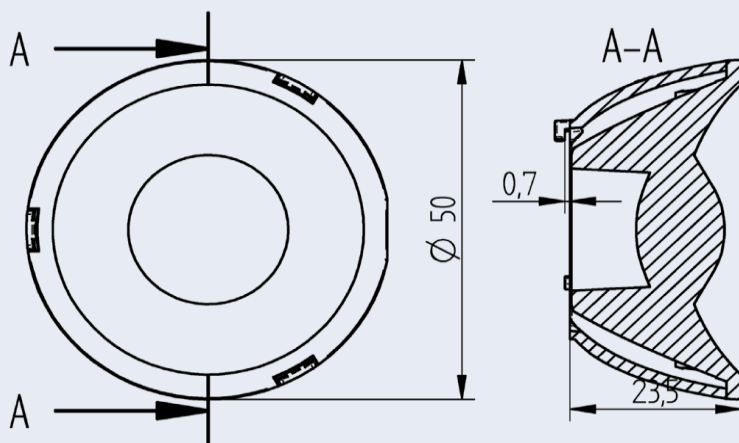


OptiSpot Lens Ø 50 mm - Medium

35.250 - Optispot Lens for use with COB connectors 47.360 Ø 35 mmm



Part no.
35.250.2002-0

OptiSpot Lens Ø 50 mm - Medium

Bayonet fixing by Twist & Lock action

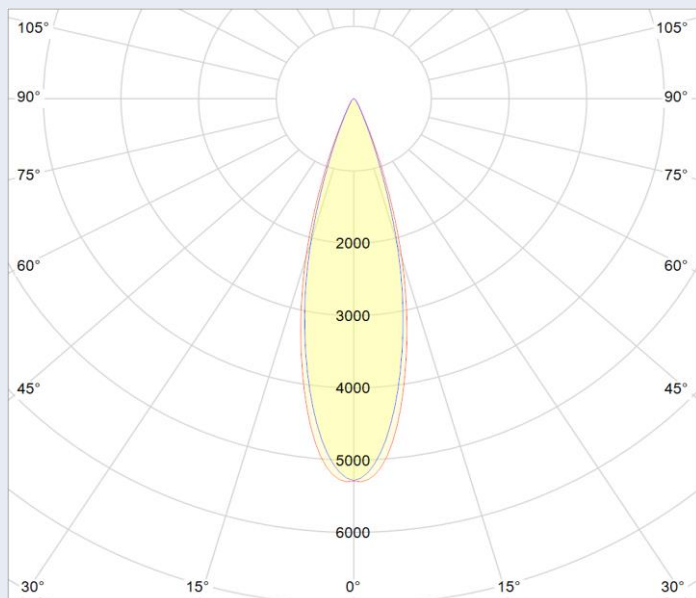
Light distribution: Medium

OptiSpot Lens is optimized for use with connectors 47.360 with Ø 35 mm.*

Specification	
Top diameter	50 mm
Height	23,50 mm
Material holder	PC
Material lens	PMMA
Max. temperature	80°C
Weights	30,8 g
Pkg.	

**This product contains the following REACH SVHC substances.
For further information please refer to www.bjb.com.**

CAS-Number	EG-Number	Substance name
3147-75-9	221-573-5	2-(2H-benzotriazol-2-yl)-4-(1,1,3,3-tetramethylbutyl)phenol



Photometric data	
Beam angle (FWHM)*	27°
Efficiency*	88%
Measured with COB Type	Citizen CLU02J
Measured with COB-holder	47.360.1020-0

*Light distribution, beam angle and efficiency are dependent on the COB in use and its LES.