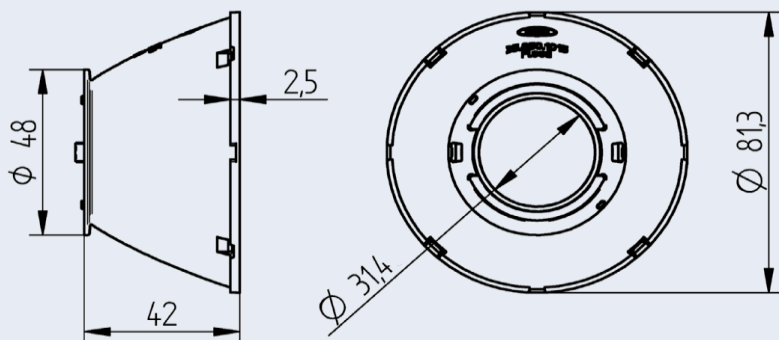


OptiSpot Reflector Ø 81.3 mm - Flood

35.850 - Optispot Reflector for use with COB connectors 47.360 / 47.319 with Ø 50 mm



Part no.
35.850.1015-0

Bayonet fixing by Twist & Lock action

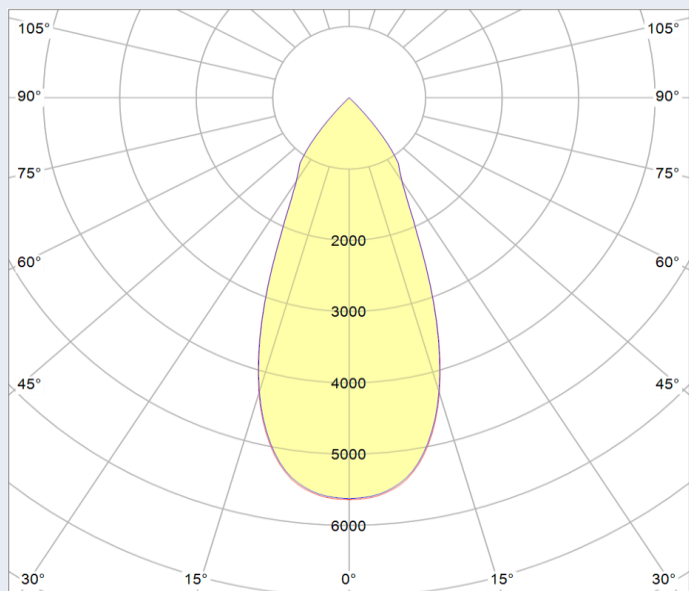
Reflector is optimized for use with connectors
47.319 and 47.360

- Reflector interface is adapted to the mixing cone of the connector
- Possibly visually disruptive openings of the connector are partly covered

Please do not touch the reflector inside with bare fingers.

It should be noted that the upper cone diameter of the mixing chamber of the connector must be smaller than the opening diameter of the reflector (here Ø 31.4 mm), so that an undercut is avoided (pictures below).

Specification	
Ø on top	81.3 mm
Height	42 mm
Bottom reflector opening	31.4 mm
Material	PC, Aluminium coated
Rated temperature	100°C max.
Weights	24 g
Pkg.	224



Photometric data	
Light distribution*	Flood
Beam angle* (FWHM)	44°
Efficiency*	89%
Recommended COB Type	COBs with LES < 17mm
Measured with COB	Citizen CLU03J-1208C9-402M2U1
Measured with COB-holder	47.319.2025-0

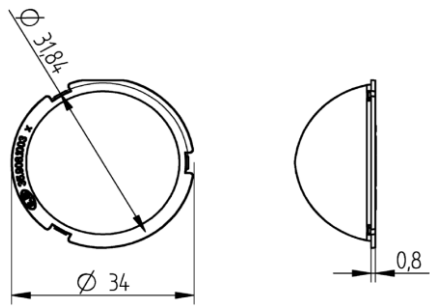
*Light distribution, beam angle and efficiency are dependent on the COB in use and its LES.

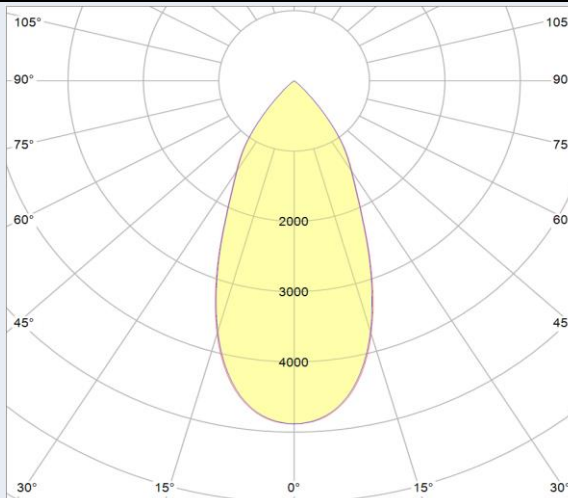
OptiSpot Reflector Ø 81.3 mm - Flood

35.908 Accessories and modular system

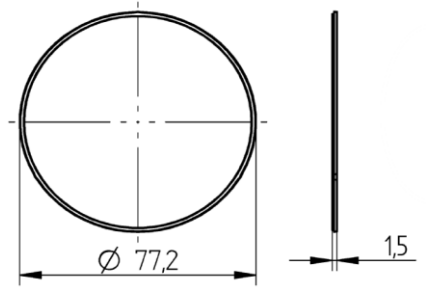
Effect on the beam angle and the efficiency of the reflector when combined with a cover plate, diffuser plate or diffusor lens.

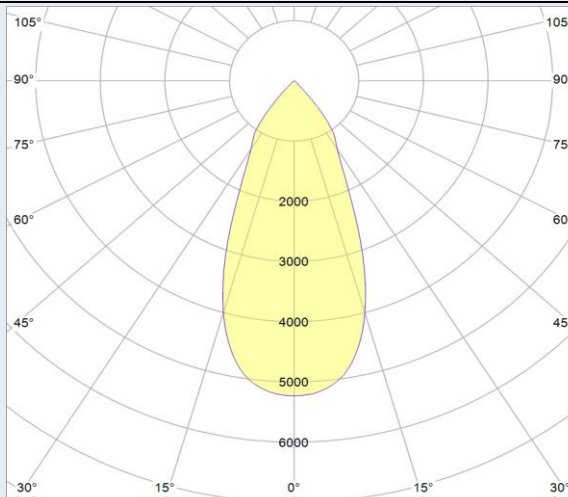
The values are for reference only

Mixing lens diffuse 35.908.1003-0	
	
Beam angle with reflector 35.850.1015-0	46°
Efficiency with reflector 35.850.1015-0	87%
Material	PMMA
Rated temperatur	80°C max.
Weight	2.4 g

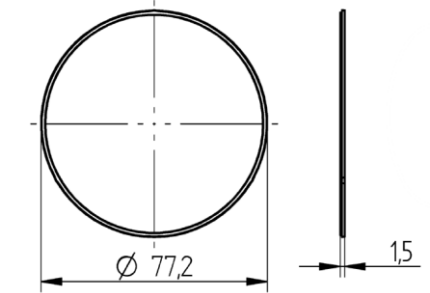


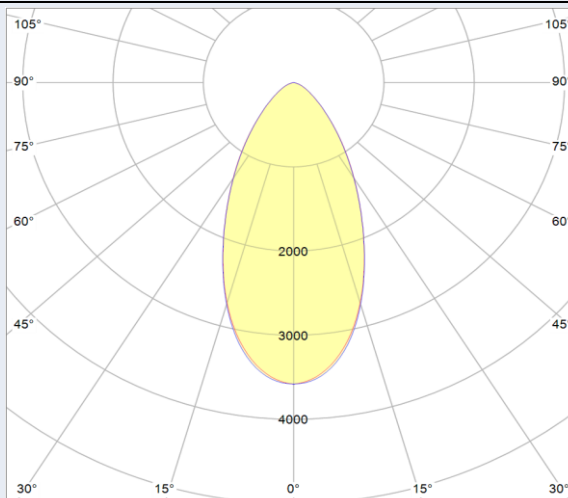
Measured with COB Citizen CLU03J-1208C9-402M2U1 and COB connector 47.319.2025-0

Cover plate 35.908.1012-0	
	
Beam angle with reflector 35.850.1015-0	44°
Efficiency with reflector 35.850.1015-0	85%
Material	PC
Rated temperature	100°C max.
Weight	7.8 g



Measured with COB Citizen CLU03J-1208C9-402M2U1 and COB connector 47.319.2025-0

Cover plate diffuse 35.908.1012-1	
	
Beam angle with reflector 35.850.1015-0	50°
Efficiency with reflector 35.850.1015-0	85%
Material	PC
Rated temperature	100°C max.
Weight	7.8 g



Measured with COB Citizen CLU03J-1208C9-402M2U1 and COB connector 47.319.2025-0