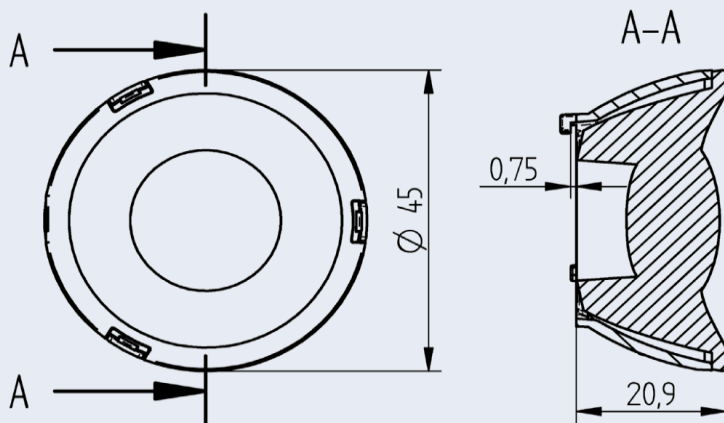


OptiSpot Lens Ø 45 mm - Spot

35.245 - Optispot Lens for use with COB connectors 47.360 Ø 35 mm



Part no.
35.245.2001-0

OptiSpot Lens Ø 45 mm - Spot

Bayonet fixing by Twist & Lock action

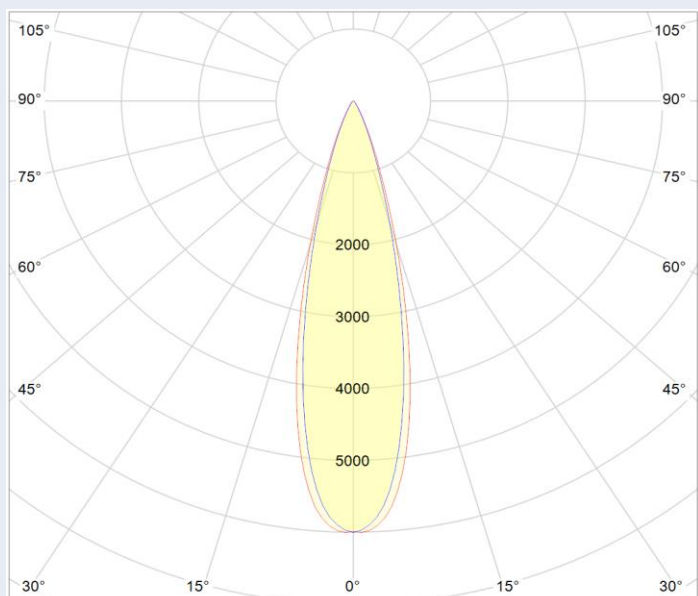
Light distribution: Spot

OptiSpot Lens is optimized for use with connectors 47.360 with Ø 35 mm.*

Specification	
Top diameter	45 mm
Height	20,90 mm
Material holder	PC
Material lens	PMMA
Max. temperature	80°C
Weights	19,8 g
Pkg.	

This product contains the following REACH SVHC substances. For further information please refer to www.bjb.com.

CAS-Number	EG-Number	Substance name
3147-75-9	221-573-5	2-(2H-benzotriazol-2-yl)-4-(1,1,3,3-tetramethylbutyl)phenol



Photometric data	
Beam angle (FWHM)*	23°
Efficiency*	87%
Measured with COB Type	Citizen CLU02J
Measured with COB-holder	47.360.1020-0

*Light distribution, beam angle and efficiency are dependent on the COB in use and its LES.